

# T77

## LED Street Light



### Specifications

<b>Input Voltage:</b>	100Vac ~ 240Vac/277Vac
<b>Input Frequency:</b>	50 / 60Hz
<b>Power Factor (PF):</b>	0.95
<b>Surge Protection Level:</b>	10kV line-earth
<b>Operating Environment:</b>	-40°C ~ +50°C, 10% ~ 90% RH
<b>Color Temperature (CCT):</b>	3000K, 4000K, 5000K, 5700K
<b>Color Rendering Index (CRI):</b>	≥70
<b>Housing:</b>	Die-cast Aluminum
<b>IP Rating of Optical Compartment:</b>	IP68
<b>IP Rating of Electrical Compartment:</b>	IP66
<b>IK Rating:</b>	IK08
<b>Warranty:</b>	5 Years Limited

### Applications

- Roadway lighting  
(Urban roads, residential areas, overpasses...)
- Public areas lighting  
(Theme parks, squares, parking lots...)

### Features

#### Construction

- Die-cast aluminum housing.
- Tool-less access to the electrical compartment.
- Unique patented IP68 (highest protection level) optical compartment.
- IP66 rated engine compartment.

#### Distribution

- Ergonomic and dedicated lighting distributions are available for various roadway applications.

#### Control

- Optional NEMA receptacle & photocell/shorting cap.

### Finishing Colors



LED Street Light

### Ordering Information

Example: T77S03P060-BA-34-6170-7040-HP-MO-GY

Luminary Type	System Power	LEDs Type	Cable Type	Qty. of LEDs per module
<b>T77S03</b>	<b>30</b> 30W	<b>B</b> 5050	<b>A</b> CCC+VDE	<b>34</b> 34pcs
<b>T77S06</b>	<b>40</b> 60W		<b>H</b> UL	<b>66</b> 66pcs
	... <b>100</b> 100W		<b>X</b> OTHER	
Lens Code	CRI & CCT	Brand of LEDs	Driver Brand	Housing Color
<b>6170</b> Type II Short	<b>7030</b> Ra≥70, 3000K	<b>HP</b> HPWINNER	<b>MO</b> MOSO	<b>BK</b> Black
<b>6171</b> Type II Short	<b>7040</b> Ra≥70, 4000K			<b>WH</b> White
	<b>7050</b> Ra≥70, 5000K			<b>DG</b> Dark Gray
	<b>7057</b> Ra≥70, 5700K			<b>GY</b> Gray

### Performance

Model	Power (W)	Qty. of LEDs per module	Efficacy (lm/W)	5050 LEDs	
				Lumens (lm)	
T77S03	30	34PCS	167	5,010	
	60	34PCS	159	9,540	
T77S06	80	66PCS	163	13,040	
	100	66PCS	161	16,100	

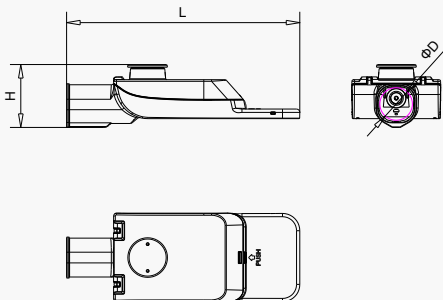
\*Above values are calculated based on the product with CCT over 3000K, values of 3000K are 5% lower than above values.

\*Values shown are subject to ±5%~±8% tolerance.

### Dimensions

Model	L (mm)	W (mm)	H (mm)	N.W.* (kg)
T77S03	430	165	115	2.8
T77S06	565	165	115	3.3

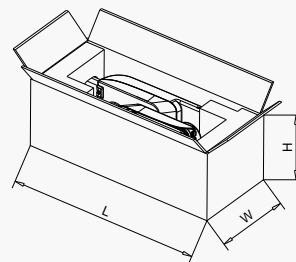
\* Values shown are subject to ±5% tolerance.



### Package Information

Model	L (mm)	W (mm)	H (mm)	Qty./Carton	G.W.* (kg)
T77S03	590	250	210	2	6.3
T77S06	720	250	210	2	7.5

\* Values shown are subject to ±5% tolerance.



### Distributions

T77S03		T77S06	
	T2S6170		T2S6171

### Accessories

Photocell	Shorting Cap